



Dusk to Dawn Photocell comes standard

## Description

Altech's Security Series Wall Pack LED fixture is perfect for building perimeters and alleys for added security overnight. Simple and provides much-needed light in darkness.



Not all product variations listed on this page are DLC qualified. To ensure that a specific model is qualified, visit [www.designlights.org/search](http://www.designlights.org/search)

## Applications

Wet Environments Security Lighting    Tunnel Roads Alleyways    Wall-side Pathways Underground Parking

## Specs

Efficacy 130 lm/W  
Input Voltage 100-277V  
Finish Black

## Details

IP Rating IP65  
Materials Aluminum  
Lens Anti-UV Polycarbonate Lens  
L70 Life 150,000 Hours  
Warranty 10 Years  
CRI 80+  
Qualification UL, DLC 5.0, FCC, CE, RoHS  
Chip Man. Philips  
Whip Length(ft) 2'

## Electrical

Power Factor 0.99  
Frequency 50/60 Hz  
Max THD 15%  
Operating Temp. -40° F to 130° F  
-40° C to 54° C  
Dimming 0-10V

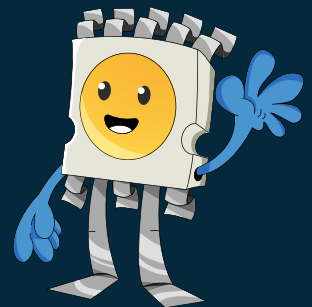
LED WALL PACK SECURITY SERIES

## Ordering Information

ORDERING/DLC #:	Wattage	CCT	Lumens	Equivalent
U-IWP-15-30	15W	3000K	1,807 lm	70-100W MH
U-IWP-15-40	15W	4000K	1,875 lm	70-100W MH
U-IWP-15-50	15W	5000K	1,935 lm	70-100W MH

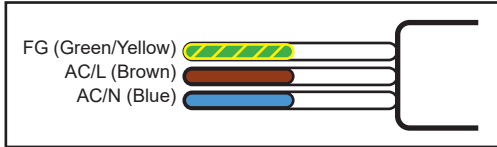
## Additional Notes

- 4000K and 5000K, 100-277V are stocked locally, check for ETA's
- Altech Electronics reserves the right to make periodic improvements to our product specs

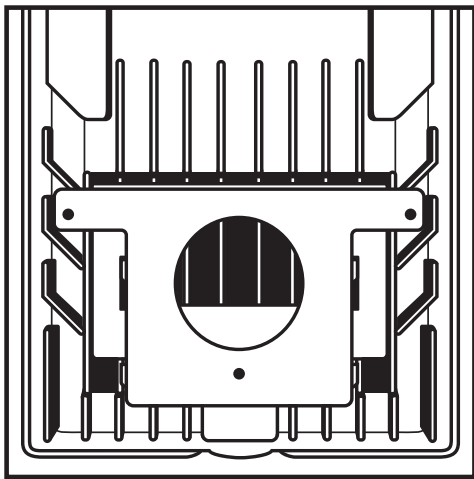


### Installation

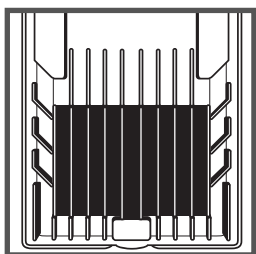
1. Disconnect all power sources  
**(VERY IMPORTANT)**.
2. Mount the back plate on the wall  
with the expansion screws.



3. Wire the fixture appropriately.  
**Brown is live. Blue is neutral.  
Green/Yellow is ground.**
4. Mount the fixture on the back plate.

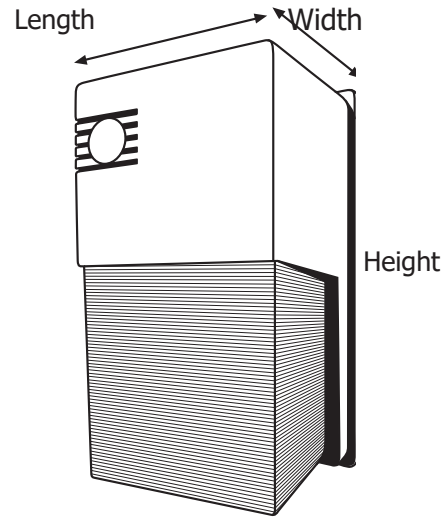


5. Installation Complete.



External heat sink designed especially for this wall pack. Not only does it extend the life span, but also makes it suitable for warmer locations.

### Fixture Dimensions and Weight



Length	Width	Height	Weight
5.5 in.	7.75 in.	13 in.	2.6 lb.
140 mm.	197 mm.	330 mm.	1.2 kg.

### Accessories and Options



Compatible with controls and integrations



Phenix Internal  
Emergency Inverter  
(18470X-2) (optional)