



Description

Altech's Architectural Series Flood Light, represents the future of energy efficiency in facility illumination. The perfect low-profile, high-performance LED fixture when needed.



Applications

Ground Mount
Security Lighting

Wall Mount
Roof Mount

Pole Mount

Details

IP Rating	IP67
EPA Rating	0.9
Materials	Die Cast Aluminum
Lens	Glass
L70 Life	200,000 Hours
Warranty	10 Years
CRI	80+
Qualification	UL, DLC Premium, FCC, CE, RoHS
Driver Man.	YG (100-277V), Inventronics (480V)
Chip Man.	Philips

Electrical

Power Factor	0.99
Frequency	50/60 Hz
Max THD	15%
Operating Temp.	-40° F to 150° F -40 ° C to 65° C
Dimming	3 in 1 (Resistance, PWM, 1-10V)

FLOOD LIGHT ARCHITECTURAL SERIES

DLC #:	U-HFL-15	U-HFL-30	U-HFL-60	U-HFL-90	U-HFL-120	U-HFL-150
MODEL #:	AE-L-FLAS-15	AE-L-FLAS-30	AE-L-FLAS-60	AE-L-FLAS-90	AE-L-FLAS-120	AE-L-FLAS-150
Input Wattage:	15W	30W	60W	90W	120W	150W
Lumens:	2,475 lm	4,950 lm	9,900 lm	14,850 lm	19,800 lm	24,750 lm
Equivalent:	75W MH	150W MH	300W MH	350W MH	550W MH	650W MH

Ordering Information

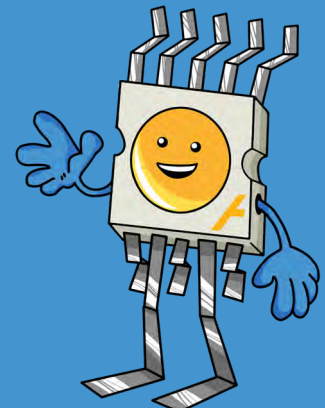
Example: AE-L-FLAS-PLY-60-175-50K-1-1-K-P-BZ

Lens Type	Wtg	Lumen Package	Color Temp.	Distribution	Input Voltage	Mounting	Options	Finish
TG - Tempered Glass	15	165 - 165 lm/W*	30K - 3000K	1 - 120°*	1 - 100-277V*	T - Trunnion*	MS - Motion Sensor	BZ - Bronze*
PLY - Polycarbonate	30	175 - 175 lm/W	40K - 4000K		2 - 480V	K - Knuckle	P - Photocell	BL - Black
	60		50K - 5000K*				EI - Emergency Inverter	SV - Silver
	90		57K - 5700K				WP(X) - Additional Whip	GR - Gray
	120					(Knuckle mount only available to 15W - 60W)	(X = specified length in ft.; 1.67' is standard)	SP - Other
	150							

*Standard

Additional Notes

- Only 5000K, 100-277V in BRONZE are stocked locally, check for ETA's
- Hot-start delays: .08 seconds (YG driver)
- Additional charges apply for items under "Options" column and non-standard colors



Lumen Output (based on 5000K)

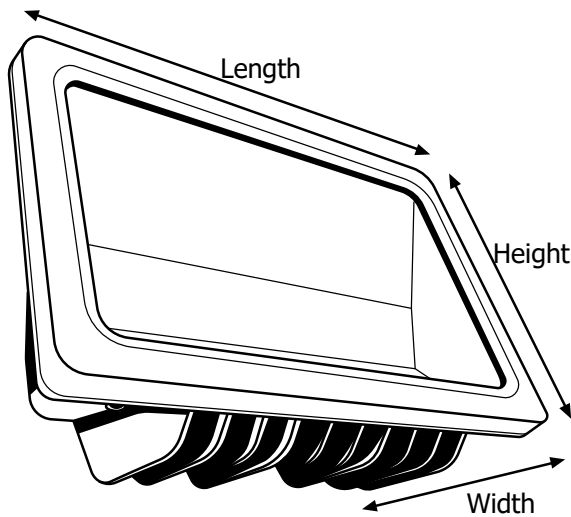
System Watts	Lumens	lm/W	B	U	G
15	2,534	166	0	0	0
	2,688	176	0	0	0
30	5,069	168	1	0	1
	5,377	178	1	0	1
60	10,139	169	1	0	2
	10,753	179	1	0	2
90	15,209	169	1	0	2
	16,132	180	2	0	2
120	20,452	170	2	0	2
	21,054	175	2	0	2
150	25,396	165	4	0	3
	26,935	175	4	0	4



Knuckle mount is only an option on 15W, 30W, and 60W models.

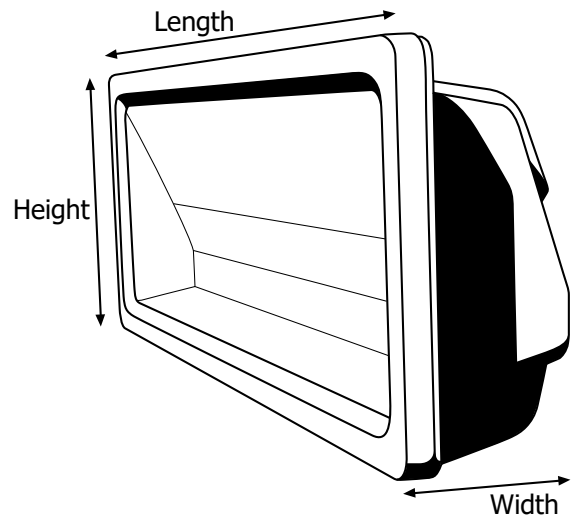
Fixture Dimensions and Weight

15, 30, & 60 Watt



Length	Width	Height	Weight
9.8 in.	3.75 in.	6.25 in.	4 lb.
249 mm.	95 mm.	165 mm.	1.81 kg.

90, 120, & 150 Watt



Length	Width	Height	Weight
15.75 in.	3.75 in.	6.25 in.	7 lb.
400 mm.	95 mm.	165 mm.	3.17 kg.

Wiring Precaution

The international color scheme is brown (hot), blue (neutral) and green/yellow (ground) wiring. Always disconnect power when installing or troubleshooting. Consult a licensed technician.

