

SOME LIKE IT HOT



fahrenheit™

HEAT TOLERANT VRLA BATTERIES

HT145ET

- **Exclusive IPF® Technology optimizes power capacity, cell consistency, and long-term reliability**
- Microcat® Catalyst lowers float current, mitigates thermal buildup and cell dryout
- Helios™ Additive reduces float current up to 75% enhancing high temperature life
- TempX™ Alloy inhibits corrosion under the highest temperature extremes
- Reinforced case resists bulging and meets safety requirements (UL 94 V-0)
- Case & cover heat sealed and 100% tested to prevent leaks
- Puncture resistant micro-porous glass mat separators extend life
- Flame arresting, low pressure, self-sealing valves are 100% factory tested
- Computer-aided design and manufacturing control processes and standards to ensure quality products
- All batteries meet or exceed IEEE 485, 1187, 1188, and Telcordia capacity requirements at shipment
- Battery design and construction meet UL recognition requirements



SPECIFICATIONS

- Nominal Voltage:** 12-Volt/140 ampere-hours
@ 8 hr. rate to 1.75 final v.p.c.
- Positive Plate:** Pure lead, low-calcium, high-tin alloy
- Negative Plate:** Lead calcium alloy
- Post Seal:** Epoxy-sealed
- Terminal:** Front access, 1/4" - 20 threaded insert
- Container:** Flame-retardant, UL 94 V-0/39% L.O.I.
- Safety Vent:** Low positive pressure, self-sealing w/ flame arrestor
- Float Voltage:** 2.25 v.p.c. ± 0.01 v.p.c. @ 77°F (25°C)
(Range: 13.44 to 13.56 volts per 6-cell battery)



QUALITY SYSTEM
CERTIFIED
ISO 9001
ISO/TS 16949
ENVIRONMENTAL
SYSTEM CERTIFIED
ISO 14001



Battery Life: 6 years in float applications
at 95°F (35°C)

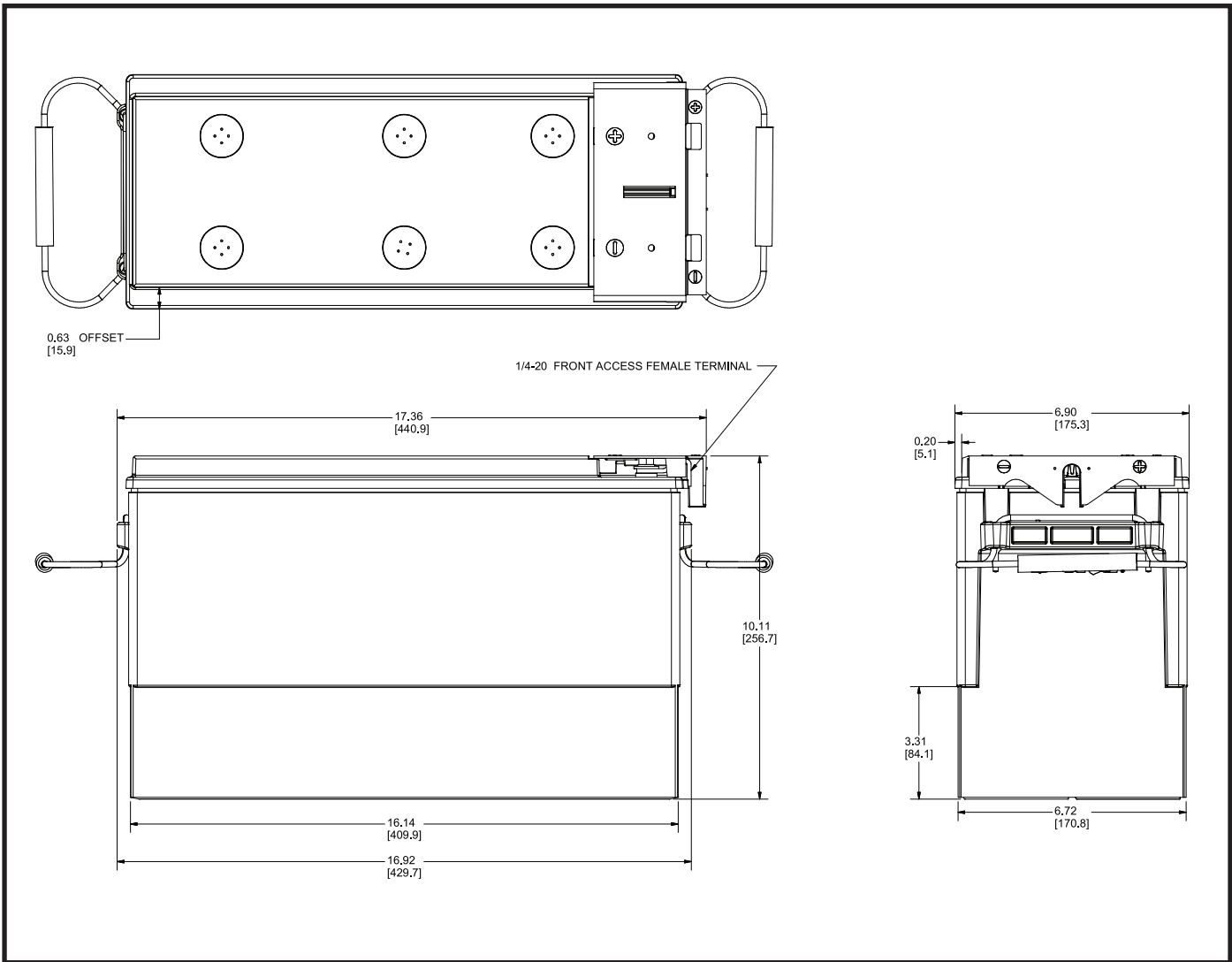
Dimensions: 17.36" (440.9 mm) L
x 6.90" (175.3 mm) W
x 10.11" (256.7 mm) H

Weight: 102 lbs. (46.3 kg)

DISCHARGE RATE IN AMPS† @77°F

Volts Per Cell (V.P.C.)	1 HR.	3 HR.	5 HR.	8 HR.	12 HR.	20 HR.	24 HR.
1.75	92.5	39.4	26.0	17.5	12.3	7.8	6.6
1.80	90.4	38.8	25.6	17.3	12.1	7.7	6.5
1.85	85.2	37.4	24.8	16.7	11.7	7.4	6.2
1.88	80.4	35.8	23.8	16.1	11.3	7.1	6.0
1.90	75.9	34.4	22.9	15.4	10.8	6.8	5.7

† Subject to change without notice.



East Penn Manufacturing Co. Lyon Station, PA 19536-0147 Phone: 610-682-3263 Fax: 610-682-0891 e-mail: reservepowersales@dekabatteries.com

