

The Simkar SEL Edge Lit LED Exit Light offers an elegant look that is easy to install.

# SEL

Project \_\_\_\_\_  
 Catalog Number \_\_\_\_\_  
 Type \_\_\_\_\_  
 Date \_\_\_\_\_

**HOUSING** Premium-grade, extruded aluminum housing (also available in black or white powder-coated finishes). Self-adhesive chevron appliques and guide template provided for directional indication.

**ILLUMINATION** Ultra bright, energy efficient, long life Red or Green LED. UV-stabilized ultra-clear acrylic edgelit panel provides consistent, uniform illumination. Double face utilizes factory installed silver or white mylar background panel.

**ELECTRICAL** Dual 120/277V voltage. Charge rate/power on LED indicator light and push-to-test switch for mandated code compliance testing. LVD (low voltage disconnect) prevents battery from deep discharge.

**TRANSFER/CHARGING CIRCUITRY** Internal solid state transfer switch automatically connects the internal battery to LEDs for minimum 90-minute emergency illumination. Fully automatic solid-state, two-rate charger initiates battery charging to recharge a discharged battery in 24 hours.

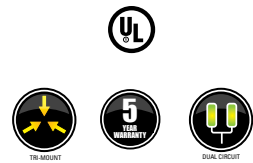
**BATTERY** Emergency battery backup (option B) equipped with 4.8V nickel-cadmium, maintenance-free, rechargeable battery.

**MOUNTING** Aluminum mounting canopy included for top, end or back mount.

**OPTIONS** Self-diagnostic (**SD**) feature performs monthly, biannual, and annual tests to ensure reliable operation and meet electrical and life safety codes. Dual circuit (**2C**) option on the AC-only unit enables it to be connected to two different (one acting as a back-up to the other) supplies at the same time. (**Custom**) Signs available with requested 'special' wording. (**USA**) option substantial transformation assembly in the U.S. complies with "Assembled in the USA" under the Buy American Act. (**SPV**) UL Listed for special voltage option.

**LISTINGS** Meets UL924, NFPA 101 Life Safety Code, NEC, OSHA, Local and State Codes. UL listed for damp locations 32°F (0°C) – 122°F (50°C).

**WARRANTY** 5 year limited warranty on all electronics and housing. Battery pro-rated for five years.

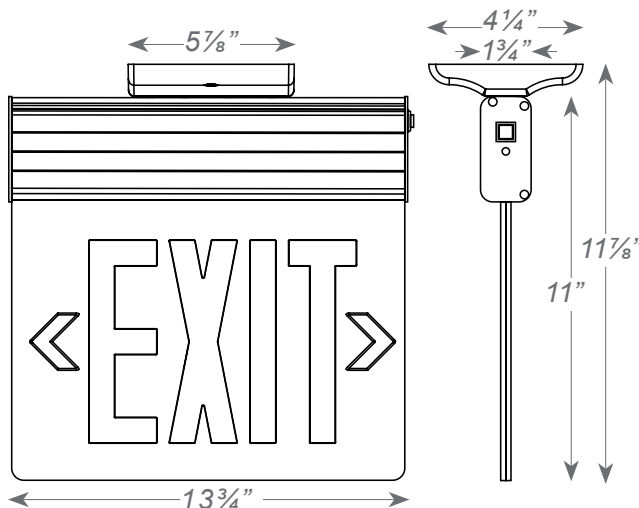


## SEL Edge Lit LED Exit Light Configuration

SERIES	ELECTRICAL	FACES	LETTER COLOR	PANEL	HOUSING COLOR	OPTIONS
SEL	AC = AC Only B = Battery Back-up	1 = Single 2 = Double	G = Green R = Red	C = Clear <sup>1</sup> M = Mirror W = White	A = Brushed Aluminum W = White	2C = Dual Circuit <sup>2</sup> SD = Self Diagnostics <sup>3</sup> SPV = 208/220/240 Volt, 50/60Hz <sup>4</sup> USA = Assembled in USA CUSTOM = Customer Wording

<sup>1</sup> With single face only.  
<sup>2</sup> Available only with AC unit.  
<sup>3</sup> Available only with EM units.  
<sup>4</sup> Not available with SDT.

## Dimensions



## Electrical Information

Model	Input Wattage (W)		Input Amps (A)	
	120V	277V	120V	277V
SELR/GB	3.6	4.0	0.030	0.020
SELR/GB SD 2C	3.6	4.0	0.030	0.020