

Elements

by TCP

LED Wall Pack



Limitless Options for the following applications:

TCP's LED Non-Cutoff Wall Pack combines the look of a traditional wall pack with the benefits of LED. An efficient alternative to HID, these wall packs deliver bright uniform light while providing energy savings. A long 50,000 hour rated life significantly decreases maintenance labor and material costs over the life of the fixture.

The robust die-cast aluminum housing incorporates an impact resistant polycarbonate lens. An integrated photocell is optional for dusk-to-dawn control. An integrated microwave motion sensor is optional for increased power savings. The wall pack mounts directly to a standard junction box for easy retrofit of traditional fixtures.

- Site Lighting
- Security Lighting
- Entrances
- Perimeters



5 YEAR
WARRANTY

we know light.™

LED Non-Cutoff Wall Pack - Polycarbonate Lens

Applications

This product family can be effectively used in outdoor wall mount locations. Commercial, industrial, retail and healthcare exterior lighting; parking lot, cargo door, high wall, area, security, etc.

Construction

- Die-cast aluminum housing
- Impact resistant polycarbonate lens
- Durable dark bronze powdercoat
- Same footprint as existing HID wall packs
- Operating Temperature: -20°C to 40°C

Electrical

- cULus wet location rated
- Easy-to-access wiring compartment
- System rated for long 50,000 hour life
- Efficiently delivers up to 125 LPW
- Optional Photocell (PC)
- Optional Microwave Motion Sensor (MS)

Optics

- Prismatic polycarbonate lens
- Delivers bright, white light and excellent uniformity

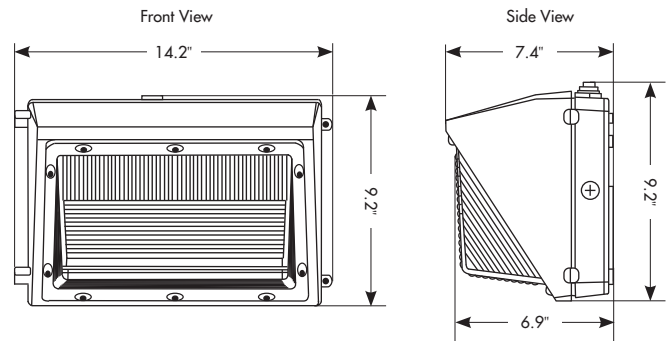


Listings

UL and cUL listed
RoHS Compliant
DLC v4.3 Standard

Warranty

Five year limited warranty against defects in manufacturing.



To view our DLC qualified products, please consult the DLC Qualified Products List at www.designlights.org/qpl.

| ITEM # | DESCRIPTION | LUMENS | WATTAGE | LPW | VOLTAGE | POWER FACTOR | CCT | CRI | LIFE | L(in.) | H(in.) | W(in.) |
|------------------------------------|----------------------------------|--------|---------|-------|------------|--------------|-------|-----|-------|--------|--------|--------|
| LED Wall Pack • 50,000 Hour | | | | | | | | | | | | |
| WP5500140 | LED Wall Pack - Non Dim 40K | 6900 | 55 | 125.5 | 120 - 277V | ≥0.9 | 4000K | >80 | 50000 | 14.2 | 9.2 | 7.4 |
| WP5500150 | LED Wall Pack - Non Dim 50K | 6900 | 55 | 125.5 | 120 - 277V | ≥0.9 | 5000K | >80 | 50000 | 14.2 | 9.2 | 7.4 |
| WP5500140PC | LED Wall Pack - Non Dim 40K W/PC | 6900 | 55 | 125.5 | 120 - 277V | ≥0.9 | 4000K | >80 | 50000 | 14.2 | 9.2 | 7.4 |
| WP5500150PC | LED Wall Pack - Non Dim 50K W/PC | 6900 | 55 | 125.5 | 120 - 277V | ≥0.9 | 5000K | >80 | 50000 | 14.2 | 9.2 | 7.4 |
| WP5500140MS | LED Wall Pack - Non Dim 40K W/MS | 6900 | 55 | 125.5 | 120 - 277V | ≥0.9 | 4000K | >80 | 50000 | 14.2 | 9.2 | 7.4 |
| WP5500150MS | LED Wall Pack - Non Dim 50K W/MS | 6900 | 55 | 125.5 | 120 - 277V | ≥0.9 | 5000K | >80 | 50000 | 14.2 | 9.2 | 7.4 |
| WP12000140 | LED Wall Pack - Non Dim 40K | 14500 | 120 | 120.8 | 120 - 277V | ≥0.9 | 4000K | >80 | 50000 | 14.2 | 9.2 | 7.4 |
| WP12000150 | LED Wall Pack - Non Dim 50K | 14500 | 120 | 120.8 | 120 - 277V | ≥0.9 | 5000K | >80 | 50000 | 14.2 | 9.2 | 7.4 |
| WP12000140PC | LED Wall Pack - Non Dim 40K W/PC | 14500 | 120 | 120.8 | 120 - 277V | ≥0.9 | 4000K | >80 | 50000 | 14.2 | 9.2 | 7.4 |
| WP12000150PC | LED Wall Pack - Non Dim 50K W/PC | 14500 | 120 | 120.8 | 120 - 277V | ≥0.9 | 5000K | >80 | 50000 | 14.2 | 9.2 | 7.4 |
| WP12000140MS | LED Wall Pack - Non Dim 40K W/MS | 14500 | 120 | 120.8 | 120 - 277V | ≥0.9 | 4000K | >80 | 50000 | 14.2 | 9.2 | 7.4 |
| WP12000150MS | LED Wall Pack - Non Dim 50K W/MS | 14500 | 120 | 120.8 | 120 - 277V | ≥0.9 | 5000K | >80 | 50000 | 14.2 | 9.2 | 7.4 |

For the most up-to-date specs and warranty information, please visit www.tcpinc.com