

# Deka® High Rate HRC

## HRC800

- **Exclusive Compu-Press® grid technology optimizes energy transfer to maximize high rate power**
- Advanced AGM technology for superior high-rate power
- Puncture resistant micro-porous glass mat separators extend life
- Reinforced case resists bulging and meets safety requirements (UL 94)
- Case & cover heat sealed and 100% tested to prevent leaks
- Epoxy sealed posts eliminate leaks
- Flame arresting, low-pressure, self-sealing valves are 100% factory tested
- Computer-aided design and manufacturing control processes and standards to ensure quality products
- All batteries meet or exceed IEEE recommended practices
- Battery design and construction meet UL recognition requirements
- Plate thickness optimized for long life
- Guaranteed 100% initial string capacity when tested in accordance with IEEE 1188



### SPECIFICATIONS

**Nominal Voltage:** 12-Volts

**Rating:** 780 Watts/Cell @ 5 min. rate to 1.67 V.P.C.

**Positive Plate:** High tin, low calcium alloy

**Negative Plate:** Calcium alloy

**Post Seal:** Epoxy-sealed

**Terminal:** Top access, 1/4" – 20 threaded insert

**Case/Cover:** Flame retardant, polypropylene – UL94 rated per UL1778 requirements

**Safety Vent:** Low positive pressure, self-sealing w/ flame arrestor

**Float Voltage:** 2.25 V.P.C. ± 0.01 V.P.C. @ 77°F (25°C)

**Design life:** 10 years in float applications @ 77°F (25°C)

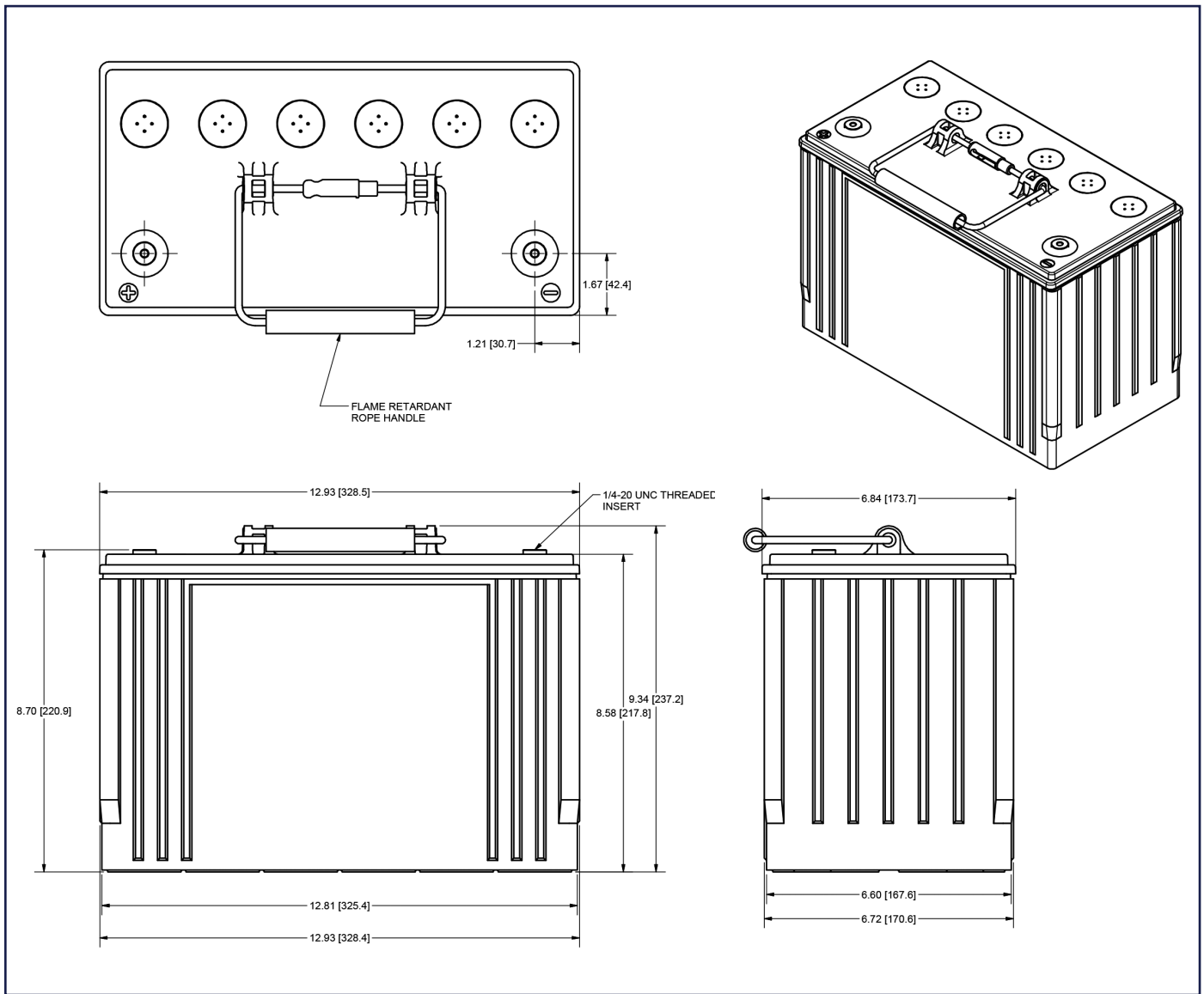
**Dimensions:** Length - 12.93" (328.4mm)  
Width - 6.84" (173.7 mm)  
Height - 8.70" (221.0mm)

**Weight:** 71 lbs (32.5 kg)

### DISCHARGE RATINGS IN WATTS PER CELL @ 77°F (25°C)†

Volts per Cell (V.P.C.)	1 MIN.	5 MIN.	10 MIN.	15 MIN.	20 MIN.	30 MIN.	40 MIN.	50 MIN.	60 MIN.
1.60 vpc	1405	832	554	428	350	257	204	168	145
1.63 vpc	1333	809	550	426	348	256	203	168	144
1.65 vpc	1279	795	546	423	346	255	203	167	144
1.67 vpc	1227	780	541	420	344	254	202	167	143
1.70 vpc	1125	750	532	417	342	252	201	166	143
1.75 vpc	1027	705	506	404	335	249	198	163	140

†Subject to change without notice.



### OPTIONAL FACTORY ACCEPTANCE TESTING

- More economical than performing a load test on site
- Confirms published capacity rating of product
- Establishes a factory baseline ohmic reading
- Formal test report provided
- Contact your East Penn Mfg. representative for additional information

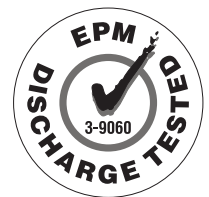
### TESTING SPECIFICATIONS

- Exceeds IEEE-1188 standards
- 10 minute battery rate to 1.67 V.P.C.
- Constant power discharge
- String  $\geq$  100% capacity — All individual batteries  $\geq$  95% capacity
- Conductance readings taken before the test
- Battery voltage recorded on report every 2 minutes

### INSTALLATION AND OPERATING INSTRUCTIONS

[www.eastpennmanufacturing.com/wp-content/uploads/HRC-10-Manual-2531.pdf](http://www.eastpennmanufacturing.com/wp-content/uploads/HRC-10-Manual-2531.pdf)

**PROPOSITION 65 WARNING:** Battery posts, terminals and related accessories contain lead and lead compounds, chemicals known to the State of California to cause cancer and reproductive harm. Batteries also contain other chemicals known to the State of California to cause cancer. **WASH HANDS AFTER HANDLING.**



e-mail: [reservepowersales@dekabatteries.com](mailto:reservepowersales@dekabatteries.com)

QUALITY SYSTEM  
CERTIFIED  
**ISO 9001**  
**IATF 16949**  
ENVIRONMENTAL  
SYSTEM CERTIFIED  
**ISO 14001**



East Penn Manufacturing Co.

Lyon Station, PA 19536-0147

Phone: 610-682-3263

Fax: 610-682-0891

[www.dekabatteries.com](http://www.dekabatteries.com)

E.P.M. Form No. 2637 09/22

© 2022 by EPM Printed in U.S.A.

All data subject to change without notice. No part of this document may be copied or reproduced, electronically or mechanically, without written permission from the company.