



Constitution Series Roadway Light



PROJECT INFORMATION

| | |
|----------------|---------------|
| JOB NAME | |
| FIXTURE TYPE | Roadway Light |
| CATALOG NUMBER | RW |
| APPROVED BY | |

SPECIFICATIONS

Construction:

This luminaire performs efficiently and reliably against rugged outdoor environment. Constructed of die-cast aluminum, this street light is designed to optimize heat dissipation..

Optics:

The uniquely designed LED street light luminaire is a combination of advanced technology and functional design that is incorporated with a high efficiency LED module and precise optics control..

Mounting:

Fits pipe with an outside diameter of 2" to 2 3/8"

Thermal Management:

Atlas roadway lights are designed as a complete system to optimize LED life and light output. The thermal stacking heat removal technology extracts heat from within the housing moving it away from LEDs and components. The lower temperatures result in long LED life (200,000+ hrs¹) and component life and also allows for higher light output.

Listings:

Luminaire is certified to UL/cUL Standards for Wet Locations DesignLights Consortium qualified luminaire, eligible for rebates from DLC member utilities. ²See chart on next page for qualifying products.

AC Input: 120/208/240/277/347/480 V

Driver:

Constant current, 120-277 VAC, 50-60 Hz
High Efficiency – min. 88%
O-State Power: 0 Watts
0-10 V Dimming

LEDs:

Available in 4000K, 4500K and 5000K CCT
Epoxy Guard™ protective conformal coated boards

Reduced Glare:

Positioning of the LED modules within the housing result in light directed to desired locations and reduces offensive light.

Testing:

Atlas LED luminaires have been tested by an independent laboratory in accordance with IESNA LM-79 & LM-80.

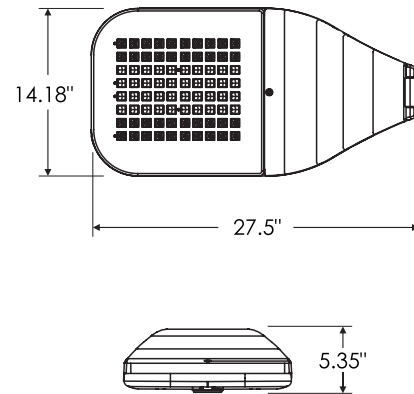
Warranty: Five-year limited warranty

7 Pin Photocell Receptacle standard
Surge Protection standard



DIMENSIONS

Weight: 14.5 lbs.



¹LED Life Span Based Upon LM-80 Test Results

Rebates and Incentives are available in many areas.
Contact an Atlas Representative for more information.

*The majority of Atlas Lighting Products are assembled in USA facilities by an American Workforce utilizing both Domestic and Foreign components. Meets Buy American requirements within the ARRA.



Constitution Series

Roadway Light



ORDERING INFORMATION

| RW | 8L | T2 | 4K | | | | | PRSP |
|--|---|---|--|--------------------------------|-----------------|-----------------|---------------|--|
| PRODUCT SERIES | LUMEN PACKAGE | DISTRIBUTION | COLOR TEMP. | VOLTAGE | DIMMING | COLOR RENDERING | FIXTURE COLOR | OPTIONS |
| RW = Roadway Light | 8L = 8,000 Lumens 14L = 14,000 Lumens 23L = 23,000 Lumens | T2 = Type II ¹ T3 = Type III T5 = Type V ¹ FT = Forward Throw ¹ | 4K = 4000K 45K = 4500K ² 5K = 5000K | Blank = 120-277 4 = 347/480 | Blank = 0-10vdc | Blank = 70CRI | Blank = Gray | PR = 7 Pin Photocell Receptacle SP = Surge Protection |
| ¹ 8L and 14L only ² T2, T5 and FT only | | | | | | | | |

PERFORMANCE DATA

| LUMEN PACKAGE | DISTRIBUTION | CRI | 4000K CCT | | 4500K CCT | | 5000K CCT | | WATTAGE | BUG RATING | REPLACES UP TO |
|---------------|---------------|-----|------------------|----------------|------------------|----------------|------------------|----------------|---------|------------|----------------|
| | | | DELIVERED LUMENS | EFFICACY (LPW) | DELIVERED LUMENS | EFFICACY (LPW) | DELIVERED LUMENS | EFFICACY (LPW) | | | |
| 8L | Type II | 70 | 7,615 | 154 | 7,509 | 152 | 7,572 | 154 | 49 | B1-U0-G2 | 175W MH |
| | Type III | 70 | 8,193 | 132 | n/a | n/a | 8,238 | 130 | 64 | B2-U0-G3 | |
| | Forward Throw | 70 | 7,387 | 150 | 7,345 | 149 | 7,326 | 148 | 49 | B2-U0-G2 | |
| | Type V | 70 | 7,632 | 155 | 7,588 | 154 | 7,526 | 153 | 49 | B3-U0-G2 | |
| 14L | Type II | 70 | 13,289 | 146 | 13,079 | 144 | 12,872 | 142 | 91 | B2-U0-G2 | 250W MH |
| | Type III | 70 | 13,850 | 116 | n/a | n/a | 14,070 | 115 | 122 | B2-U0-G3 | |
| | Forward Throw | 70 | 13,007 | 143 | 12,801 | 141 | 12,807 | 141 | 98 | B2-U0-G2 | |
| | Type V | 70 | 13,315 | 147 | 13,110 | 144 | 12,908 | 142 | 91 | B4-U0-G2 | |
| 23L | Type III | 70 | 22,230 | 119 | n/a | n/a | 22,360 | 120 | 187 | B3-U0-G4 | 400W MH |

DLC PRODUCT INFORMATION:

| LUMEN PACKAGE | DISTRIBUTION | 4000K CCT | | 4500K CCT | | 5000K CCT | |
|---------------|---------------|----------------|----------------|----------------|----------------|----------------|----------------|
| | | DLC PRODUCT ID | CLASSIFICATION | DLC PRODUCT ID | CLASSIFICATION | DLC PRODUCT ID | CLASSIFICATION |
| 8L | Type II | PVUC2WS5 | Standard | PWA4Z4DF | Standard | PXHL1D1A | Standard |
| | Type III | n/a | n/a | n/a | n/a | n/a | n/a |
| | Forward Throw | PDSI9PB1 | Standard | P1VRSNYT | Standard | PZJE4CWN | Standard |
| | Type V | PDTWS34T | Standard | PE0ZBHPV | Standard | PULTY5W1 | Standard |
| 14L | Type II | P7STEQT1 | Standard | PPME1KVF | Standard | P9ATC71Q | Standard |
| | Type III | n/a | n/a | n/a | n/a | n/a | n/a |
| | Forward Throw | PWN6VL67 | Standard | PJ2UQYYP | Standard | PCUA9GXY | Standard |
| | Type V | PBVHM66B | Standard | P5MY44R6 | Standard | PZO6WRN4 | Standard |
| 23L | Type III | PHHWJ3B2 | Standard | n/a | n/a | PQB1GS72 | Standard |