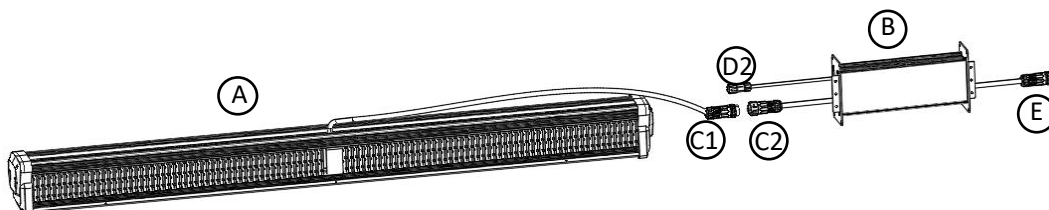


**PARTS LIST**

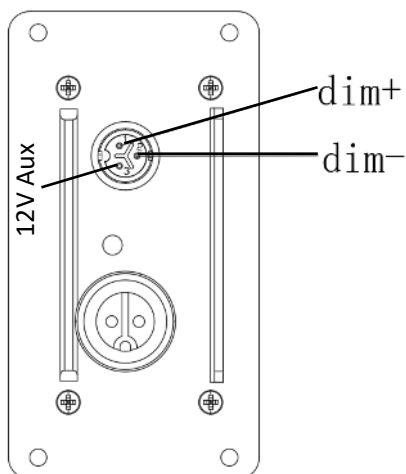
- A: Light Fixture
- B: Driver Unit
- C1, C2: DC Power Cord Connectors Between Driver Unit and Light Fixture
- D2: Dimming/Data Connector
- E: AC Power Cord

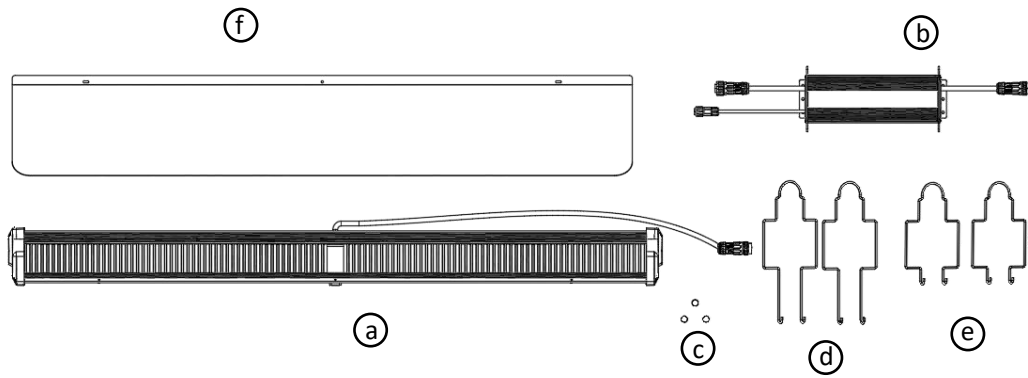


**GETTING STARTED**

Unpack box(es) and carefully remove contents and ensure your grow light fixture includes the following:

- a. (1x) LED Grow Light Fixture
- b. (1x) Driver Unit
- c. (1x) DC Power Cord
- d. (2x) Light Fixture Mounting Brackets
- e. (2x) Driver Mounting Brackets
- f. (1x) either AC Power Cord with plug or bare wire ends, or AC Linking Cords (may be externally packaged)
- g. May include M12 Dimming/Data Cord
- h. May include (1x or 2x) Side Reflectors with (3x or 6x) mounting screws

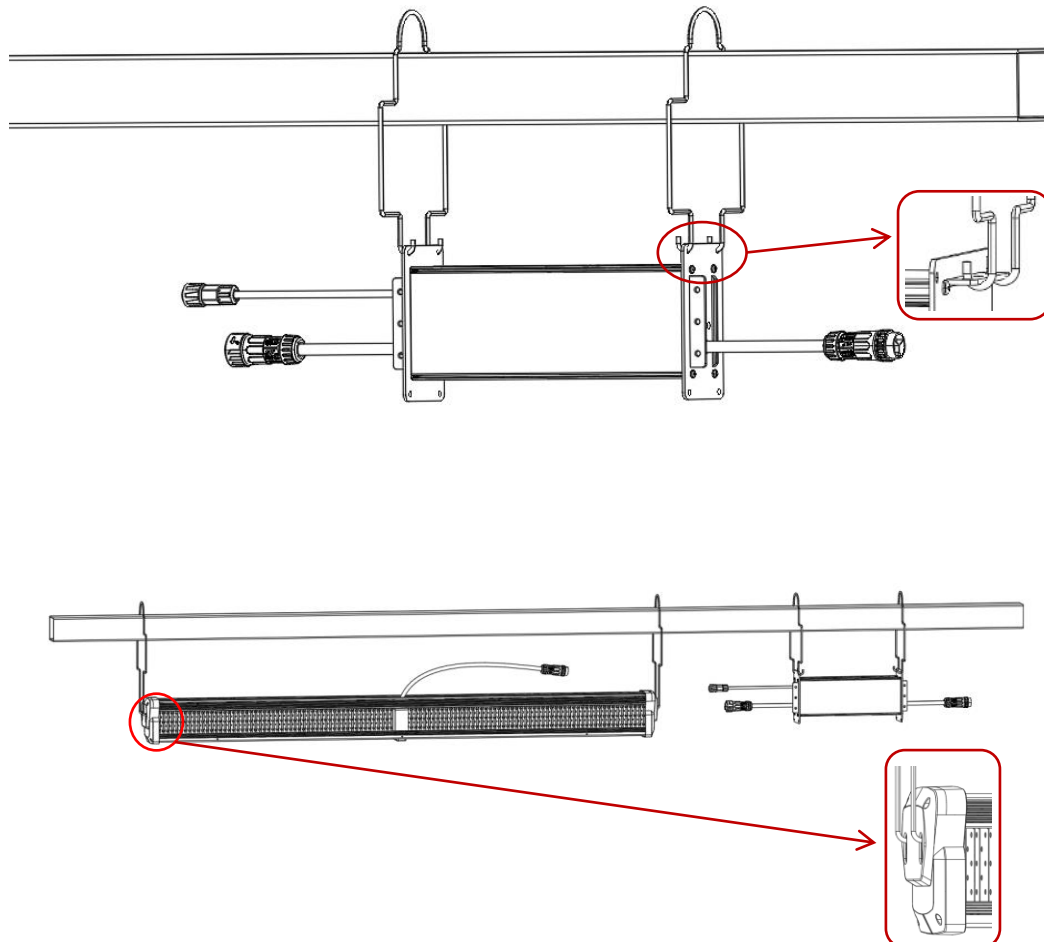




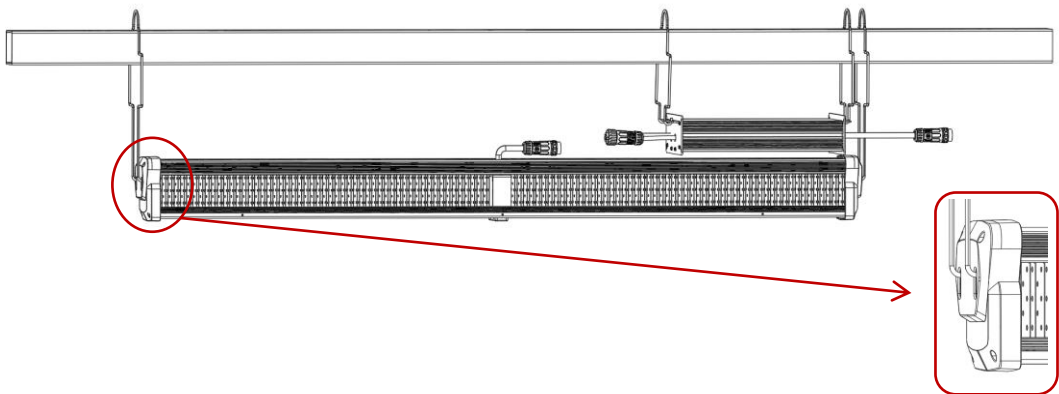
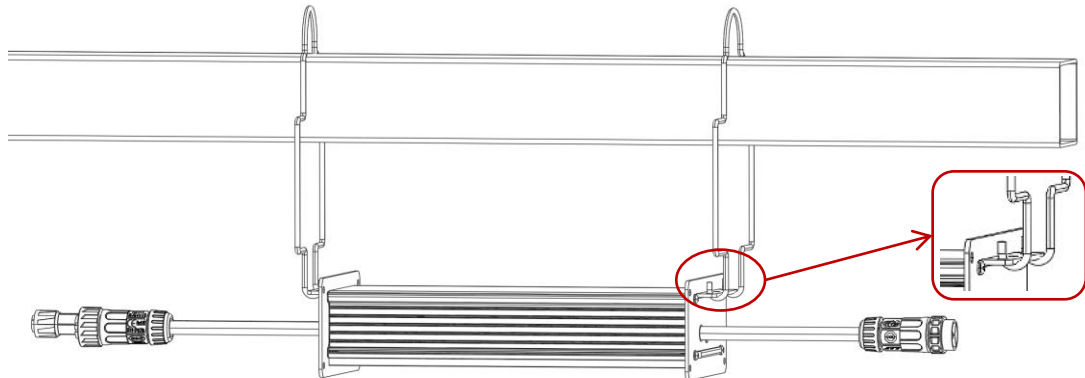
## MOUNTING

1. According to installation position of driver, pass the hooks through the endcaps of light fixture and that of driver respectively, as shown below.

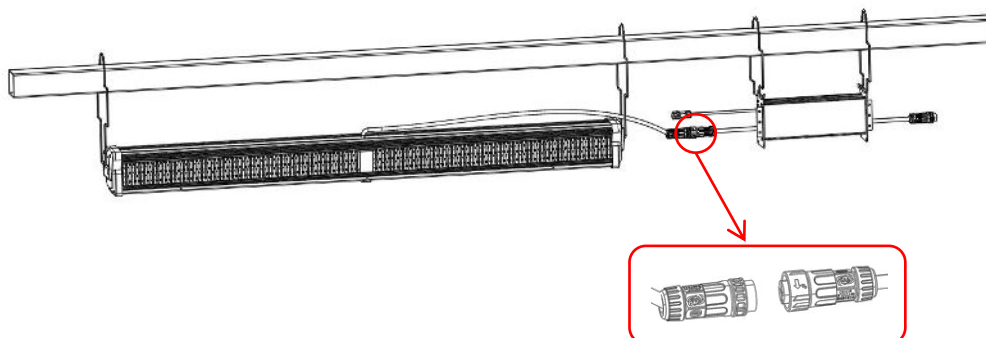
### Mounting 1

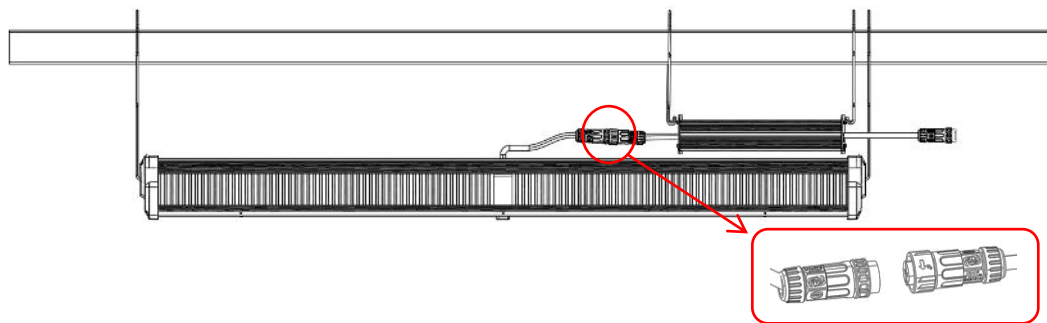


Mounting 2



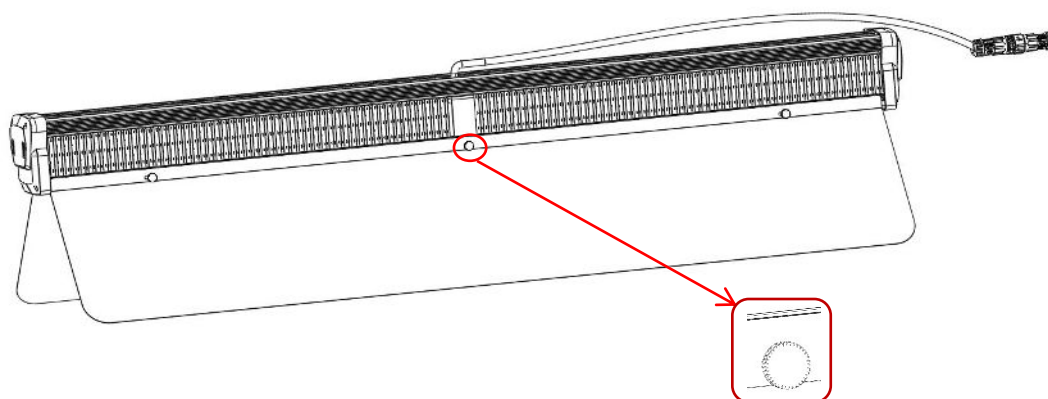
2. Connect the DC power cord between light fixture and driver.





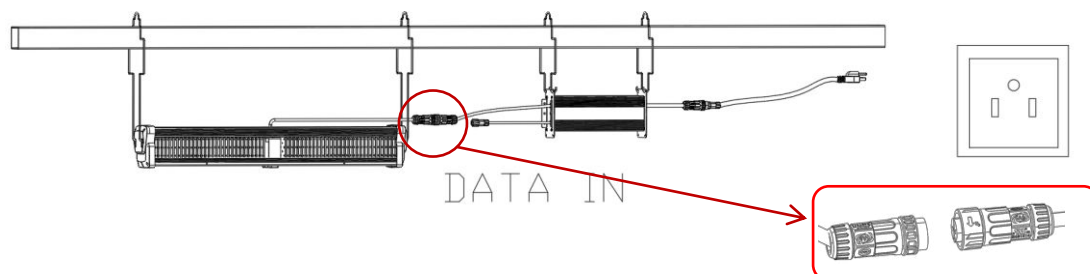
3. Reflectors(Optional)

Attach the reflector to the lamp strip by mounting screws



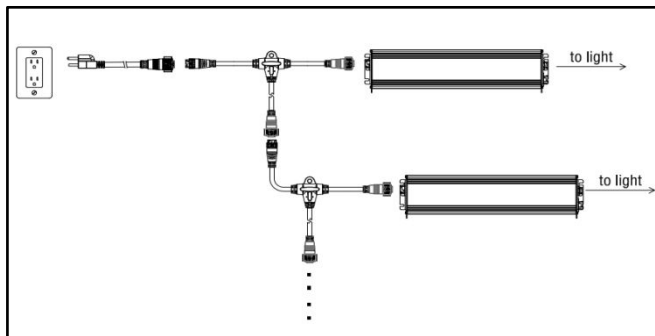
4. If using 0-10V dimming control, then connect dimming port on the driver to another light fixture or dimming controller by linking cords.

Note: the maximum number of linkable/controllable lights depends on the controller/dimmer used. Please refer to the controller for limits and do not exceed.



### Linking

Daisy-chain linking of AC power and/or data connections is accomplished using optional T-connecting cords with 1 input and 1 output at one end of the cord, and a second output at the opposite end of the cord. The second output can “power” an additional linking cord or an additional light.



AC linking limits for 640W HI-Top Lights are:

- 120V: 2 lights maximum
- 208V: 3 lights maximum
- 220-277V: 4 lights maximum
- 480V (high voltage model): 8 lights maximum

Data linking limits are primarily determined by the controller/dimmer used.

