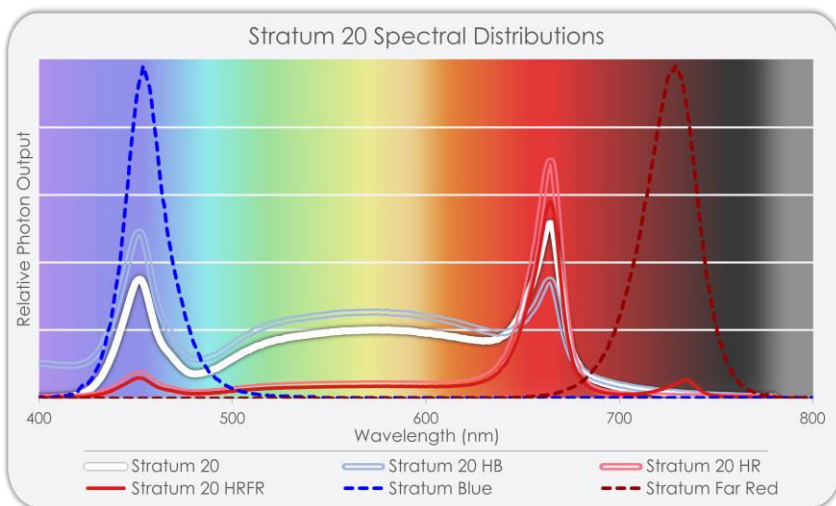


TotalGrow™ Stratum 20 Clone LED



Cultivate Vigorous Young Plants and Greens

- Cost-effective propagation with uncompromised growth
- 2.4-2.9 $\mu\text{mol}/\text{J}$ efficacy for minimal operating expenses
- Ideally tailored full spectrum for strong, rapid rooting and growth
- Simple, versatile implementation in minimal space

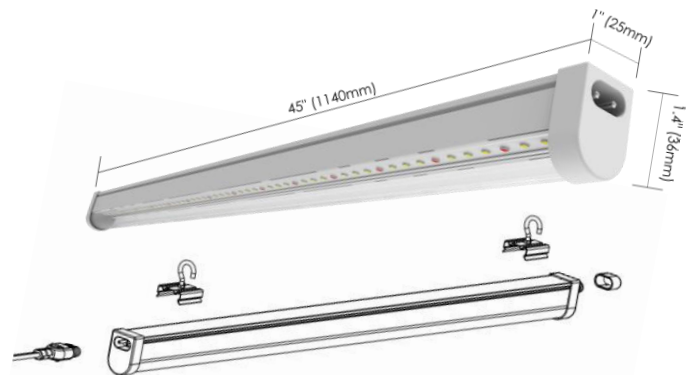


The Stratum 20 Clone LED promotes vigorous rooting and growth for your clones, seedlings, greens, and transplants. Cultivate healthy plants with flexible, energy-efficient LED lighting that can be easily configured as your setup demands.

Product Specifications / Installation

Specifications	Stratum 20	Stratum 20 HB	Stratum 20 HR	Stratum 20 HRFR	Stratum Blue	Stratum Far Red
Item Number	TG2B-903	TG2B-403	TG2B-503	TG2B-803	TG2B-10A	TG2B-10G
Spectrum	Balanced	High Blue	High Red	High Red + Far Red	Pure Blue	Pure Far Red
Growth Style	Balanced growth + quality. Natural morphology.	More compact/ colorful/ secondary metabolites. Slower growth.	Faster growth. Less compact/ colorful/ secondary metabolites.	Fastest growth; most expanded morphology.	Add to increase compactness/ color/ secondary metabolites.	Add to increase expansion growth.
Power	20W	20W	20W	20W	20W	16W
Output	48 $\mu\text{mol/s}$	51 $\mu\text{mol/s}$	50 $\mu\text{mol/s}$	48 $\mu\text{mol/s}$	58 $\mu\text{mol/s}$	40 $\mu\text{mol/s}$
Output Efficiency	2.4 $\mu\text{mol/J}$	2.5 $\mu\text{mol/J}$	2.5 $\mu\text{mol/J}$	2.4 $\mu\text{mol/J}$	2.9 $\mu\text{mol/J}$	2.5 $\mu\text{mol/J}$
Dimensions L x W x H	45" x 1" x 1.4" (1140mm x 25mm x 36mm)				36" x 1" x 1.4" (914mm x 25mm x 36mm)	
Weight	2 lbs. (0.9kg)				1.8 lbs. (0.8kg)	
Typical Coverage	5-12" x 48" (100-300 PPF) 3-10" over canopy				Varies by crop/setup/goal; Mount on multi-bar lights	

Shared Specifications	TG2B
Input Voltage	100-277VAC, 50/60 Hz
Linking Limit	20 (110V), 40 (220V), 50 (277V)
Projected Service Life	50,000 hours
Warranty	5 Years
Waterproof	IP65



Usage Guidelines

Every application is unique, and our lighting experts will gladly provide you with a detailed, custom light plan (contact info@totalgrowlight.com). The most common setups with the Stratum 20 Clone LED are:

Usage Guidelines: TotalGrow Stratum 20 Clone LED (with no sunlight)			
Goal:	Unrooted Clones/ Cuttings	Microgreens/ Seedlings/ Rooted Cuttings	Greens/ Transplants
Average PPF [*] ($\mu\text{mol/m}^2/\text{s}$)	100	175	270
Light Spacing	12" (30cm)	8" (20cm)	5" (13cm)
Ideal Height	6-10" (15-25cm)	4-7" (10-18cm)	3-5" (8-13cm)
Lights per 2'x4'	2	3	5

* Higher average PPFs achieved with highly reflective walls and/or adjacent grow areas with overlapping light emission; lower PPFs occur with greater light spillage.