



MODEL #: ORST44LL4K

UPC #: 765364023835

4' Lensed Strip



Specifications

Electrical Specifications

- Input Wattage: 40W
- Efficacy: 113 LpW
- AC Input: 120/208/240/277 V
- Driver: Constant current, Class 2, 120-277VAC 50/60Hz
- Dimming: 0-10V

Lighting Specifications

- Total Lumens: 4,500
- Color Temperature: 4000K
- Color Rendering Index: 80

Housing Specifications

- Rigid 22 gauge post painted housing
- Lightweight & durable
- Color: White
- Lifespan: 50,000 hours

Model	Watts	Lumens	Volts	Color Temp.
ORST44LL4K	40	4,500	120-277	4000K

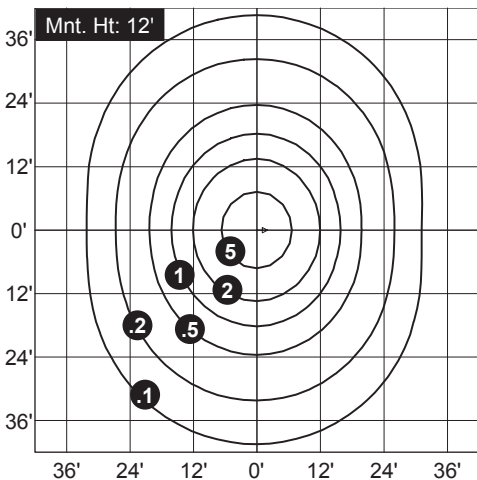
Listings

- UL/cUL standards for damp locations
- DLC qualified luminaire, eligible for rebates from DLC member utilities. DLC Prod. ID: PLPLK301LEYB

Warranty

- 5-Year limited warranty

Photometrics



Light Loss Factor	1.00
Total Lumens	5007
Mounting Height	12'
Max. Calculated Value	8.96Fc



origin

BY ATLAS
LIGHTING

PROJECT INFORMATION

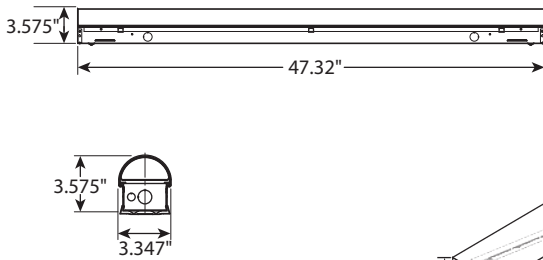
MODEL #: ORST44LL4K

UPC #: 765364023835

4' Lensed Strip

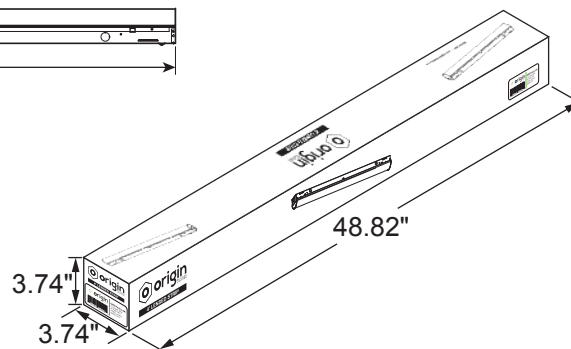
Dimensions

Product Dimensions



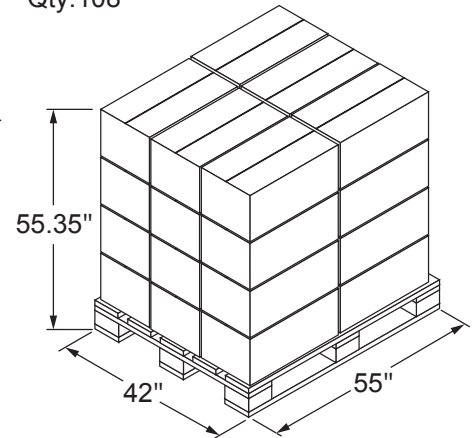
Carton Dimensions

Weight: 5.3 lbs.



Pallet Dimensions

Qty: 108



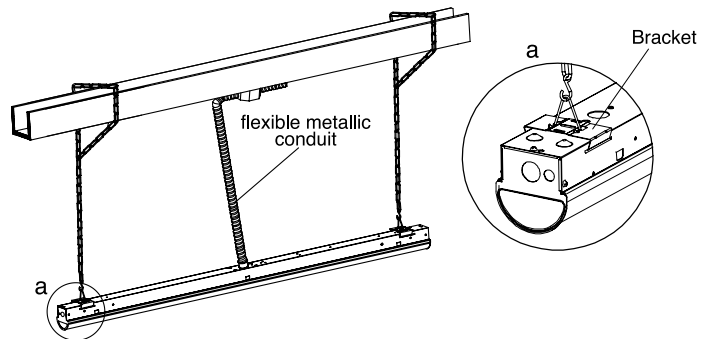
Installation

A: Chain Mounting with V hook

Step 1: Clip the brackets to the slots of fixture

Step 2: Attach customer supplied V-Hooks to brackets.

Step 3: Attach customer supplied chain to the V-hooks and mounting surface.



B: Surface Mounting

Step 1: Secure the provided brackets onto the ceiling using the provided accessories and screws.

Step 2: Screw the covers at the outlet of the back of the housing. (Figure b)

Step 3: Wire to main power through the junction box (figure c)

Step 4: Then clip the brackets to the slots of fixture (figure d)

